

## BUTTERFLY VALVES, GROOVED

MODEL: SDBV-G



### TECHNICAL SPECIFICATION

Size	2 ½" through 8"
Working Pressure	175 psi
Max. Test Pressure	350 psi
Working Temperature	250° F (120° C)

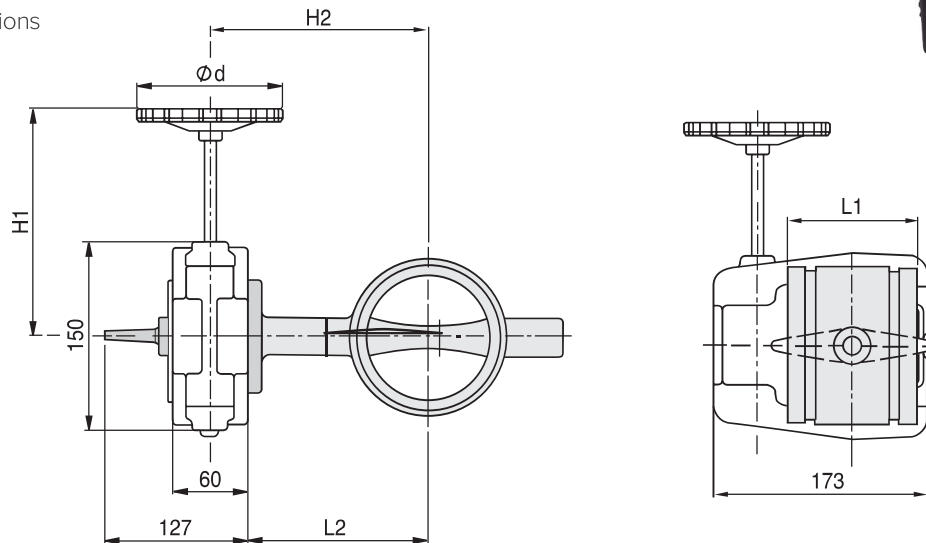
Factory Installed UL Approved Tamper Switch for indoor use only.

### MATERIAL

Body	Ductile Iron, Nylon - 11 Coated
Disc	Al-Bronze, Ductile Iron, EPDM Encapsulated
Stem	Stainless Steel



Dimensions



Size	Pipe O.D	L1	L2	H1	H2	d	Weight Kg (lbs)
2 ½"	73	96.4	105	135	135	125	8.2
3"	88.9	96.4	112	135	142	125	9.0
4"	114.3	115.4	145	135	175	125	10.7
6"	168.3	132.4	179	193	209	225	15.2
8"	219.1	147.4	204	193	234	225	20.4

Unit : mm

## BUTTERFLY VALVES, GROOVED

MODEL: SDBV-G300

### TECHNICAL SPECIFICATION

Size	2 ½" through 8"
Working Pressure	300 psi (21.5 Bar)
Max. Test Pressure	600 psi (43 Bar)
Working Temperature	250° F (120° C)

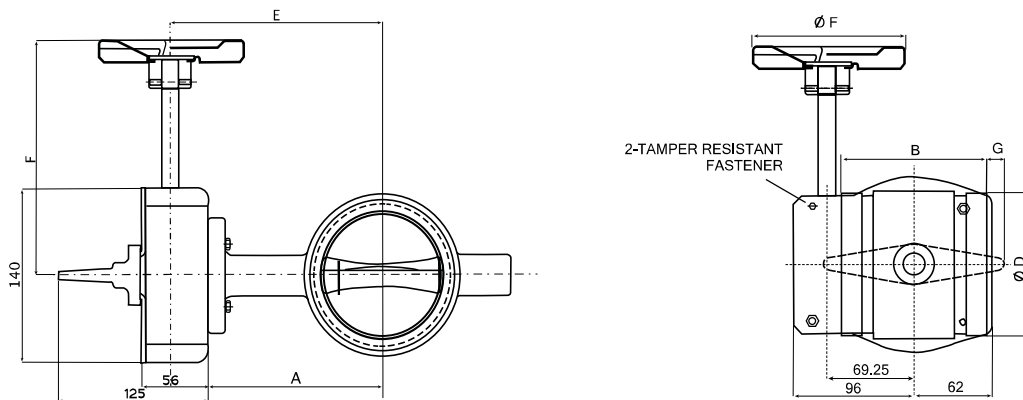
Factory Installed UL Approved Tamper Switch for indoor use only.

### MATERIAL

Body	Ductile Iron, Nylon - 11 Coated
Disc	Al-Bronze, Ductile Iron, EDPM
Stem	Stainless Steel, Hardened & Tempered
Housing	Ductile Iron (ASTM A-536)
Hand Wheel	Ductile Iron (ASTM A-536)



Dimensions



Size	A	B	C	D	E	F	G
2 ½"	105	96.4	168	73.1	137	125	---
3"	112	96.4	168	88.9	144	125	---
4"	145	115.4	168	114.3	177	125	---
6"	179	132.4	208	168.3	211	225	6.8
8"	204	147.4	208	219.1	236	225	24.2

Unit : mm

## BUTTERFLY VALVES, WAFER

MODEL: SDBV-W

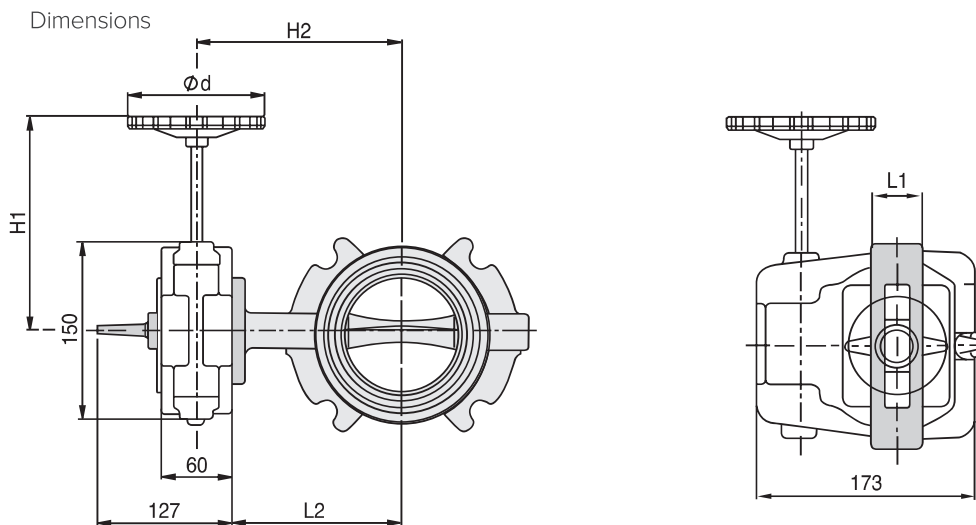
### TECHNICAL SPECIFICATION

Size	2 ½" through 8"
Working Pressure	175 psi
Max. Test Pressure	350 psi
Working Temperature	250° F (120° C)

Factory Installed UL Approved Tamper Switch for indoor use only.

### MATERIAL

Body	Ductile Iron, Nylon - 11 Coated
Disc	Al-Bronze, Ductile Iron, EPDM Encapsulated
Stem	Stainless Steel



Size	Pipe C.D	L1	L2	H1	H2	d	Weight Kg (lbs)
2 ½"	139.5	49.0	120	135	150	125	8.8
3"	152.5	49.0	127	135	157	125	9.3
4"	180.5	55.0	145	135	175	125	9.8
6"	241.0	59.0	180	193	210	225	13.1
8"	298.5	63.0	204	193	234	225	17.0

Unit : mm

## BUTTERFLY VALVES, WAFER

MODEL: SDBV-W300



### TECHNICAL SPECIFICATION

Size	2 ½" through 8"
Working Pressure	300 psi (21.5 Bar)
Max. Test Pressure	600 psi (43 Bar)
Working Temperature	250° F (120° C)

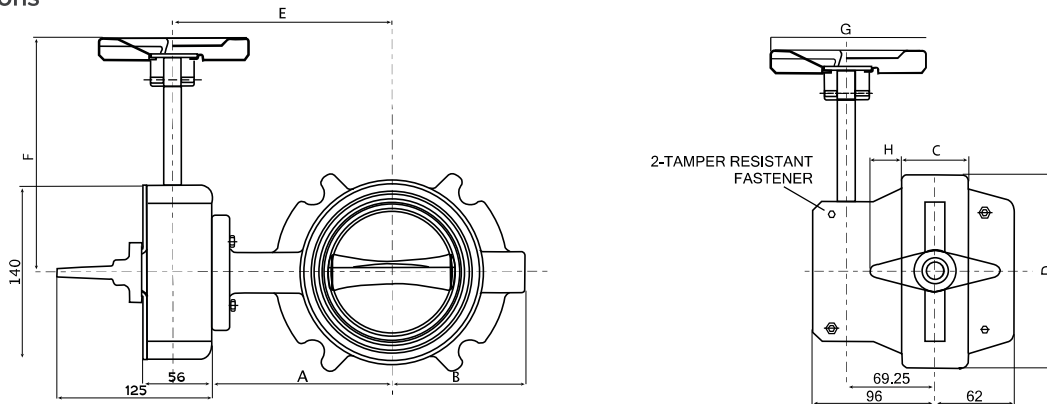
Factory Installed UL Approved Tamper Switch for indoor use only.

### MATERIAL

Body	Ductile Iron, Nylon - 11 Coated
Disc	Al-Bronze, Ductile Iron, EDPM
Stem	Stainless Steel, Hardened & Tempered
Housing	Ductile Iron (ASTM A-536)
Hand Wheel	Ductile Iron (ASTM A-536)



### Dimensions



Size	A	B	C	D	E	F	G	H
2 ½"	120	85	49	116	150	168	125	9.5
3"	127	92	49	132	157	168	125	16
4"	145	108	55	152	175	168	125	25
6"	180	145	59	207	210	208	225	45.3
8"	204	170	63	262	234	208	225	68.5

Unit : mm

## BUTTERFLY VALVES, GROOVED

MODEL: SDBV-GTEC-175

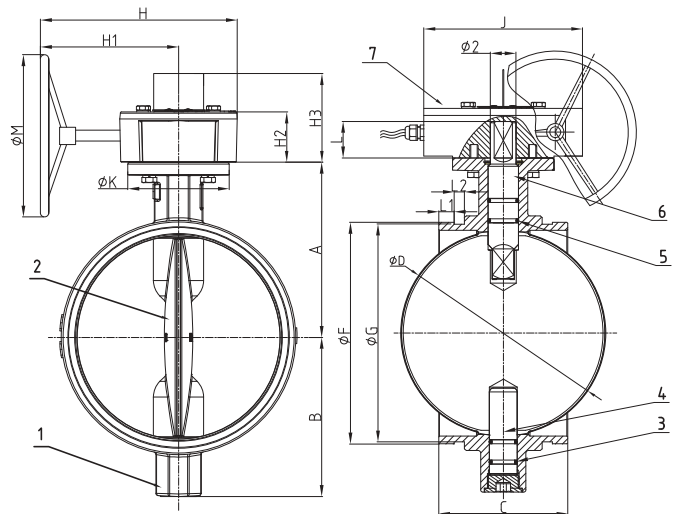


- Design Standard: MSS SP-67
- Connection Ends: Groove to AWWA C606
- Top Flange Standard: ISO 5211 Stem drive by keys, parallel or diagonal square or flat head
- With integrated tamper switch
- Working Pressure: 175 PSI
- Temperature Range: 0°C - 80°C
- Coating: Fusion Bonded Epoxy Coating in accordance with ANSI/AWWA C550 or painting upon request



### MATERIAL SPECIFICATION

Part No.	Part	Standard Specification
1	Valve Body	ASTM A536, 65-45-12
2	Disc	ASTM A536, 65-45-12 + EPDM
3	O-Ring	NBR
4	Stem	AISI 431
5	O-Ring	NBR
6	Stem	AISI 431
7	Signal Gear Box	ASTM A536, 65-45-12



DN		Dimensions																
Inch	mm	A	B	C	Φ D	Φ F	Φ G	L1	L2	L	Φ K	H	H1	H2	H3	J	Φ M	Φ 2
2"	50	89	65	81	50.3	60.3	57.15	15.88	7.93	32	90	208	151	65	108	147	150	14
2.5"	65	102	71	97	60.8	73.0	69.09	15.88	7.93	32	90	208	151	65	108	147	150	14
3"	80	109	81	97	76	88.9	84.94	15.88	7.93	32	90	208	151	65	108	147	150	14
4"	100	128	95	116	98.5	114.3	110.08	15.88	9.53	32	90	208	151	65	108	147	150	16
5"	125	141	111	148	122.6	141.3	137.03	15.88	9.53	32	90	208	151	65	108	147	150	16
6"	150	153	133	148	148	168.3	163.96	15.88	9.53	32	90	208	151	65	108	147	150	20
8"	200	184	164	133	199	219.1	214.4	19.05	11.10	45	125	303	239	73	115	190	250	26
10"	250	216	196	159	252	273.1	268.28	19.05	12.70	45	125	303	239	73	115	190	250	26
12"	300	254	226	165	300.5	323.9	318.29	19.05	12.70	45	125	303	229	73	120	190	250	28

Unit : mm

## BUTTERFLY VALVES, GROOVED

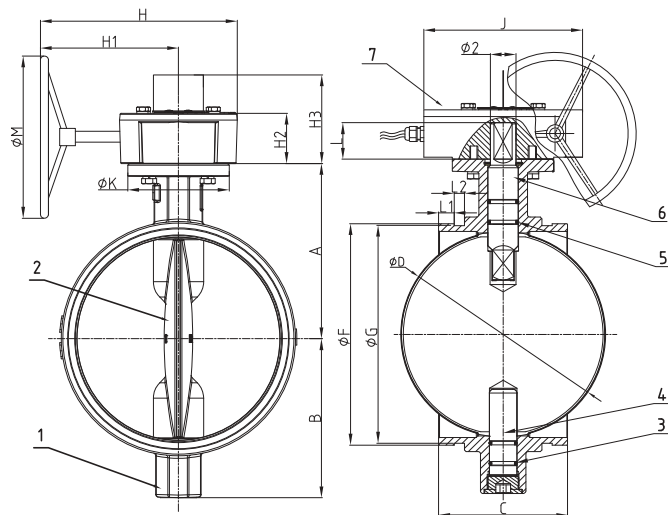
### MODEL: SDBV-GTEC-200

- Design Standard: MSS SP-67
- Connection Ends: Groove to AWWA C606
- Top Flange Standard: ISO 5211 Stem drive by keys, parallel or diagonal square or flat head
- With integrated tamper switch
- Working Pressure: 200 PSI
- Temperature Range: 0°C - 80°C
- Coating: Fusion Bonded Epoxy Coating in accordance with ANSI/AWWA C550 or painting upon request



### MATERIAL SPECIFICATION

Part No.	Part	Standard Specification
1	Valve Body	ASTM A536, 65-45-12
2	Disc	ASTM A536, 65-45-12 + EPDM
3	O-Ring	NBR
4	Stem	AISI 431
5	O-Ring	NBR
6	Stem	AISI 431
7	Signal Gear Box	ASTM A536, 65-45-12



DN		Dimensions																
Inch	mm	A	B	C	Φ D	Φ F	Φ G	L1	L2	L	Φ K	H	H1	H2	H3	J	Φ M	Φ 2
2"	50	89	65	81	50.3	60.3	57.15	15.88	7.93	32	90	208	151	65	108	147	150	14
2.5"	65	102	71	97	60.8	73.0	69.09	15.88	7.93	32	90	208	151	65	108	147	150	14
3"	80	109	81	97	76	88.9	84.94	15.88	7.93	32	90	208	151	65	108	147	150	14
4"	100	128	95	116	98.5	114.3	110.08	15.88	9.53	32	90	208	151	65	108	147	150	16
5"	125	141	111	148	122.6	141.3	137.03	15.88	9.53	32	90	208	151	65	108	147	150	16
6"	150	153	133	148	148	168.3	163.96	15.88	9.53	32	90	208	151	65	108	147	150	20
8"	200	184	164	133	199	219.1	214.4	19.05	11.0	45	125	303	239	73	115	190	250	26
10"	250	216	196	159	252	273.1	268.28	19.05	12.70	45	125	303	239	73	115	190	250	26
12"	300	254	226	165	300.5	323.9	318.29	19.05	12.70	45	125	303	229	73	120	190	250	28

Unit : mm

## BUTTERFLY VALVES, GROOVED

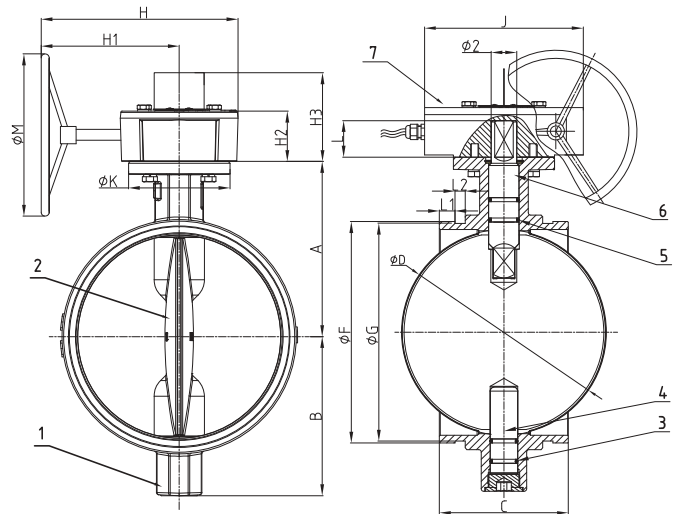
### MODEL: SDBV-GTEC-250

- Design Standard: MSS SP-67
- Connection Ends: Groove to AWWA C606
- Top Flange Standard: ISO 5211 Stem drive by keys, parallel or diagonal square or flat head
- With integrated tamper switch
- Working Pressure: 250 PSI
- Temperature Range: 0°C - 80°C
- Coating: Fusion Bonded Epoxy Coating in accordance with
- ANSI/AWWA C550 or painting upon request



### MATERIAL SPECIFICATION

Part No.	Part	Standard Specification
1	Valve Body	ASTM A536, 65-45-12
2	Disc	ASTM A536, 65-45-12 + EPDM
3	O-Ring	NBR
4	Stem	AISI 431
5	O-Ring	NBR
6	Stem	AISI 431
7	Signal Gear Box	ASTM A536, 65-45-12



DN		Dimensions																
Inch	mm	A	B	C	ϕ D	ϕ F	ϕ G	L1	L2	L	ϕ K	H	H1	H2	H3	J	ϕ M	ϕ 2
2"	50	89	65	81	50.3	60.3	57.15	15.88	7.93	32	90	208	151	65	108	147	150	14
2.5"	65	102	71	97	60.8	73.0	69.09	15.88	7.93	32	90	208	151	65	108	147	150	14
3"	80	109	81	97	76	88.9	84.94	15.88	7.93	32	90	208	151	65	108	147	150	14
4"	100	128	95	116	98.5	114.3	110.08	15.88	9.53	32	90	208	151	65	108	147	150	16
5"	125	141	111	148	122.6	141.3	137.03	15.88	9.53	32	90	208	151	65	108	147	150	16
6"	150	153	133	148	148	168.3	163.96	15.88	9.53	32	90	208	151	65	108	147	150	20
8"	200	184	164	133	199	219.1	214.4	19.05	11.10	45	125	303	239	73	115	190	250	26
10"	250	216	196	159	252	273.1	268.28	19.05	12.70	45	125	303	239	73	115	190	250	26
12"	300	254	226	165	300.5	323.9	318.29	19.05	12.70	45	125	303	229	73	120	190	250	28

Unit : mm

## BUTTERFLY VALVES, GROOVED

### MODEL: SDBV-GTEC-300

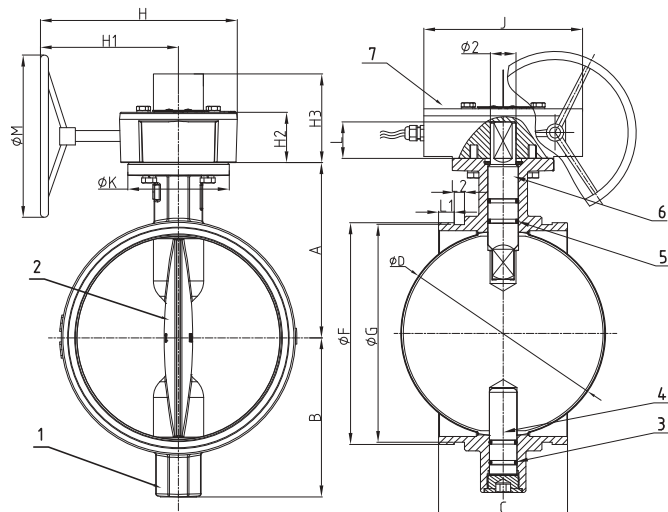


- Design Standard: MSS SP-67
- Connection Ends: Groove to AWWA C606
- Top Flange Standard: ISO 5211 Stem drive by keys, parallel or diagonal square or flat head
- With integrated tamper switch
- Working Pressure: 300 PSI
- Temperature Range: 0°C - 80°C
- Coating: Fusion Bonded Epoxy Coating in accordance with ANSI/AWWA C550 or painting upon request



### MATERIAL SPECIFICATION

Part No.	Part	Standard Specification
1	Valve Body	ASTM A536, 65-45-12
2	Disc	ASTM A536, 65-45-12 + EPDM
3	O-Ring	NBR
4	Stem	AISI 431
5	O-Ring	NBR
6	Stem	AISI 431
7	Signal Gear Box	ASTM A536, 65-45-12



DN		Dimensions																
Inch	mm	A	B	C	Φ D	Φ F	Φ G	L1	L2	L	Φ K	H	H1	H2	H3	J	Φ M	Φ 2
2"	50	89	65	81	50.3	60.3	57.15	15.88	7.93	32	90	208	151	65	108	147	150	14
2.5"	65	102	71	97	60.8	73.0	69.09	15.88	7.93	32	90	208	151	65	108	147	150	14
3"	80	109	81	97	76	88.9	84.94	15.88	7.93	32	90	208	151	65	108	147	150	14
4"	100	128	95	116	98.5	114.3	110.08	15.88	9.53	32	90	208	151	65	108	147	150	16
5"	125	141	111	148	122.6	141.3	137.03	15.88	9.53	32	90	208	151	65	108	147	150	16
6"	150	153	133	148	148	168.3	163.96	15.88	9.53	32	90	208	151	65	108	147	150	20
8"	200	184	164	133	199	219.1	214.4	19.05	11.10	45	125	303	239	73	115	190	250	26
10"	250	216	196	159	252	273.1	268.28	19.05	12.70	45	125	303	239	73	115	190	250	26
12"	300	254	226	165	300.5	323.9	318.29	19.05	12.70	45	125	303	229	73	120	190	250	28

Unit : mm



## BUTTERFLY VALVES, WAFER

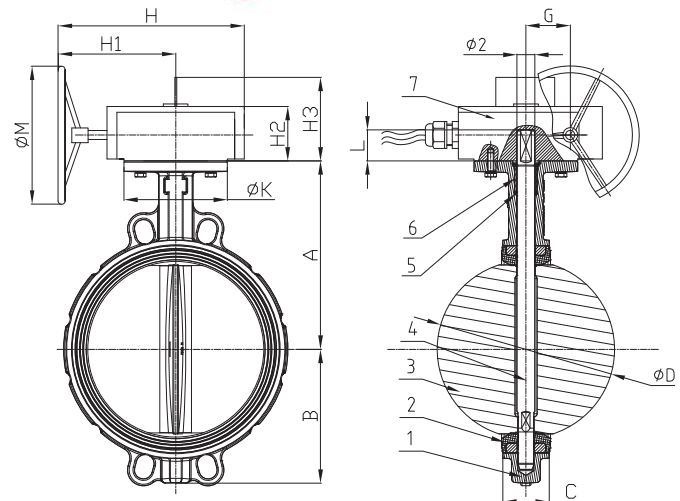
### Model: SDBV-WTEC-175

- Design Standard: MSS SP-67
- Connection Ends: ASME B16.1 CL 125, ASME B16.5 CL 150
- Top Flange Standard: ISO 5211 Stem drive by keys, parallel or diagonal square or flat head
- With integrated tamper switch
- Working Pressure: 175 PSI
- Temperature Range: 0°C - 80°C
- Coating: Fusion Bonded Epoxy Coating in accordance with ANSI/AWWA C550



### MATERIAL SPECIFICATION

Part No.	Part	Standard Specification
1	Valve Body	ASTM A536, 65-45-12
2	Seat	EPDM & Backing
3	Disc	ASTM A536, 65-45-12
4	Stem	AISI 420
5	O-Ring	NBR
6	Bushing	PTFE
7	Signal Gear Box	ASTM A536, 65-45-12



DN		Dimensions												
Inch	mm	A	B	M	H	H1	H2	H3	K	G	Φ D	C	Φ 2	L
2"	50	140.5	64.5	150	208	151	65	108	90	59	53.9	43	14	32
2.5"	65	153	72	150	208	151	65	108	90	59	65.2	46	14	32
3"	80	157.5	86	150	208	151	65	108	90	59	79.7	46	14	32
4"	100	176	100	150	208	151	65	108	90	59	105	52	16	32
5"	125	191	112	150	208	151	65	108	90	59	130	56	16	32
6"	150	202.5	128	150	208	151	65	108	90	59	156	56	20	32
8"	200	243.5	162	200	298	223	77	121	125	75	207	60	26	45
10"	250	273	194	200	298	223	77	121	125	75	253.3	68	26	45
12"	300	311	223	250	298	223	77	121	125	75	301.9	78	28	45

Unit : mm

## BUTTERFLY VALVES, WAFER

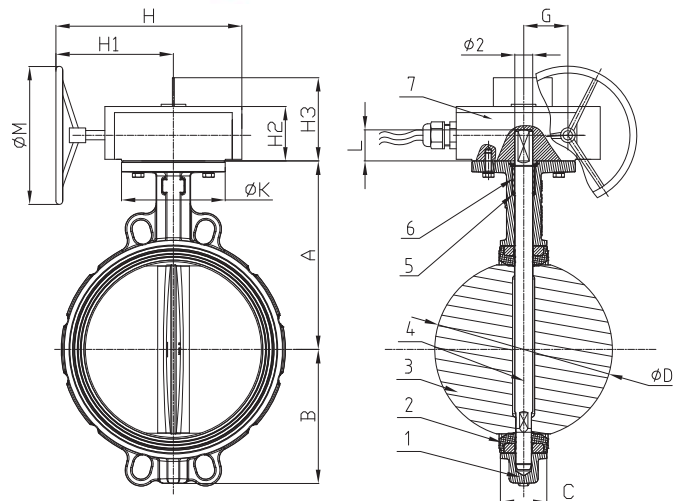
### Model: SDBV-WTEC-200

- Design Standard: MSS SP-67
- Connection Ends: ASME B16.1 CL 125, ASME B16.5 CL 150
- Top Flange Standard: ISO 5211 Stem drive by keys, parallel or diagonal square or flat head
- With integrated tamper switch
- Working Pressure: 200 PSI
- Temperature Range: 0°C - 80°C
- Coating: Fusion Bonded Epoxy Coating in accordance with ANSI/AWWA C550



### MATERIAL SPECIFICATION

Part No.	Part	Standard Specification
1	Valve Body	ASTM A536, 65-45-12
2	Seat	EPDM & Backing
3	Disc	ASTM A536, 65-45-12
4	Stem	AISI 420
5	O-Ring	NBR
6	Bushing	PTFE
7	Signal Gear Box	ASTM A536, 65-45-12



DN		Dimensions												
Inch	mm	A	B	M	H	H1	H2	H3	K	G	Ø D	C	Ø 2	L
2"	50	140.5	64.5	150	208	151	65	108	90	59	53.9	43	14	32
2.5"	65	153	72	150	208	151	65	108	90	59	65.2	46	14	32
3"	80	157.5	86	150	208	151	65	108	90	59	79.7	46	14	32
4"	100	176	100	150	208	151	65	108	90	59	105	52	16	32
5"	125	191	112	150	208	151	65	108	90	59	130	56	16	32
6"	150	202.5	128	150	208	151	65	108	90	59	156	56	20	32
8"	200	243.5	162	200	298	223	77	121	125	75	207	60	26	45
10"	250	273	194	200	298	223	77	121	125	75	253.3	68	26	45
12"	300	311	223	250	298	223	77	121	125	75	301.9	78	28	45

Unit : mm

## BUTTERFLY VALVES, WAFER

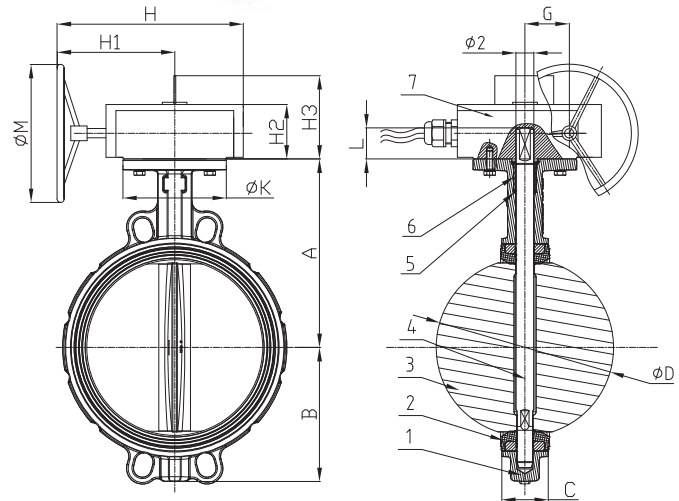
### Model: SDBV-WTEC-250

- Design Standard: MSS SP-67
- Connection Ends: ASME B16.1 CL 125, ASME B16.5 CL 150
- Top Flange Standard: ISO 5211 Stem drive by keys, parallel or diagonal square or flat head
- With integrated tamper switch
- Working Pressure: 250 PSI
- Temperature Range: 0°C - 80°C
- Coating: Fusion Bonded Epoxy Coating in accordance with ANSI/AWWA C550



### MATERIAL SPECIFICATION

Part No.	Part	Standard Specification
1	Valve Body	ASTM A536, 65-45-12
2	Seat	EPDM & Backing
3	Disc	ASTM A536, 65-45-12
4	Stem	AISI 420
5	O-Ring	NBR
6	Bushing	PTFE
7	Signal Gear Box	ASTM A536, 65-45-12



DN		Dimensions												
Inch	mm	A	B	M	H	H1	H2	H3	K	G	Ø D	C	Ø 2	L
2"	50	140.5	64.5	150	208	151	65	108	90	59	53.9	43	14	32
2.5"	65	153	72	150	208	151	65	108	90	59	65.2	46	14	32
3"	80	157.5	86	150	208	151	65	108	90	59	79.7	46	14	32
4"	100	176	100	150	208	151	65	108	90	59	105	52	16	32
5"	125	191	112	150	208	151	65	108	90	59	130	56	16	32
6"	150	202.5	128	150	208	151	65	108	90	59	156	56	20	32
8"	200	243.5	162	200	298	223	77	121	125	75	207	60	26	45
10"	250	273	194	200	298	223	77	121	125	75	253.3	68	26	45
12"	300	311	223	250	298	223	77	121	125	75	301.9	78	28	45

Unit : mm

## BUTTERFLY VALVES, WAFER

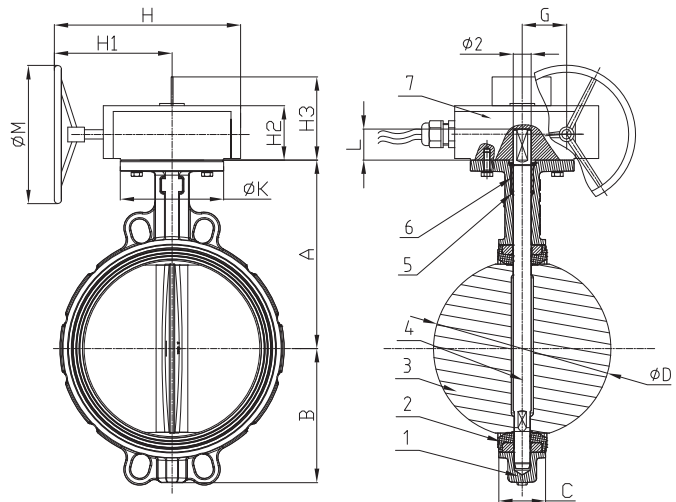
Model: SDBV-WTEC-300

- Design Standard: MSS SP-67
- Connection Ends: ASME B16.1 CL 125, ASME B16.5 CL 150
- Top Flange Standard: ISO 5211 Stem drive by keys, parallel or diagonal square or flat head
- With integrated tamper switch
- Working Pressure: 300 PSI
- Temperature Range: 0°C - 80°C
- Coating: Fusion Bonded Epoxy Coating in accordance with ANSI/AWWA C550



### MATERIAL SPECIFICATION

Part No.	Part	Standard Specification
1	Valve Body	ASTM A536, 65-45-12
2	Seat	EPDM & Backing
3	Disc	ASTM A536, 65-45-12
4	Stem	AISI 420
5	O-Ring	NBR
6	Bushing	PTFE
7	Signal Gear Box	ASTM A536, 65-45-12



DN		Dimensions												
Inch	mm	A	B	M	H	H1	H2	H3	K	G	Ø D	C	Ø 2	L
2"	50	140.5	64.5	150	208	151	65	108	90	59	53.9	43	14	32
2.5"	65	153	72	150	208	151	65	108	90	59	65.2	46	14	32
3"	80	157.5	86	150	208	151	65	108	90	59	79.7	46	14	32
4"	100	176	100	150	208	151	65	108	90	59	105	52	16	32
5"	125	191	112	150	208	151	65	108	90	59	130	56	16	32
6"	150	202.5	128	150	208	151	65	108	90	59	156	56	20	32
8"	200	243.5	162	200	298	223	77	121	125	75	207	60	26	45
10"*	250	273	194	200	298	223	77	121	125	75	253.3	68	26	45
12"*	300	311	223	250	298	223	77	121	125	75	301.9	78	28	45

\* Non-Approved

Unit : mm

## BUTTERFLY VALVES, LUG TYPE

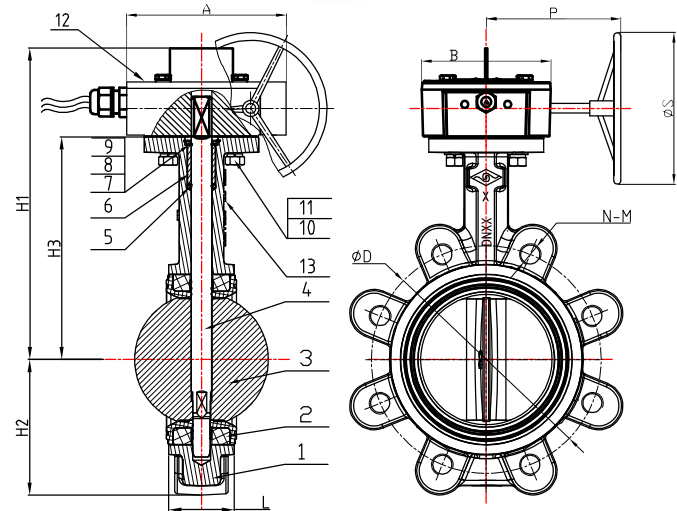
**Model: SDBV-LTEC-175**

- Design Standard: MSS SP-67
- Face to Face Dimension: ISO 5752
- Connection Ends: ASME B16.1 CL 125, ASME B16.5 CL 150
- Top Flange Standard: ISO 5211
- With integrated tamper switch
- Working Pressure: 175 PSI
- Temperature Range: 0°C - 80°C
- Coating: Fusion Bonded Epoxy Coating in accordance with ANSI/AWWA C550



### MATERIAL SPECIFICATION

Part No.	Part	Standard Specification
1	Valve Body	ASTM A536, 65-45-12
2	Seat	EPDM
3	Disc	ASTM A536, 65-45-12
4	Stem	AISI 420
5	O-Ring	NBR
6	Bushing	PTFE
7	Circlip for Shaft	Spring Steel, 65MN
8	Retaining Plate	AISI 420
9	Circlip for Hole	Spring Steel, 65MN
10	Hexbolt	Carbon Steel Zinc Plated
11	Spring Washer	Spring Steel, 65MN
12	Gear Box	ASTM A536, 65-45-12
13	Name Plate	Stainless Steel Plate



DN		Dimensions									
Inch	mm	A	B	P	S	H1	H2	H3	L	N - M	Φ D
2"	50	147	113	151.5	150	248.5	64.5	140.5	43	4 - 5/8	120.7
2.5"	65	147	113	151.5	150	261	72	153	46	4 - 5/8	139.7
3"	80	147	113	151.5	150	265.5	86	157.5	46	4 - 5/8	152.4
4"	100	147	113	151.5	150	284	100	176	52	8 - 5/8	190.5
5"	125	147	113	151.5	150	299	112	191	56	8 - 3/4	215.9
6"	150	147	113	151.5	150	310.5	128	202.5	56	8 - 3/4	241.3
8"	200	184	150	223	200	364.5	162	243.5	60	8 - 3/4	298.5
10"	250	184	355	223	200	394	194	273	68	12 - 7/8	362
12"	300	184	410	224	250	432	223	311	78	12 - 7/8	431.8

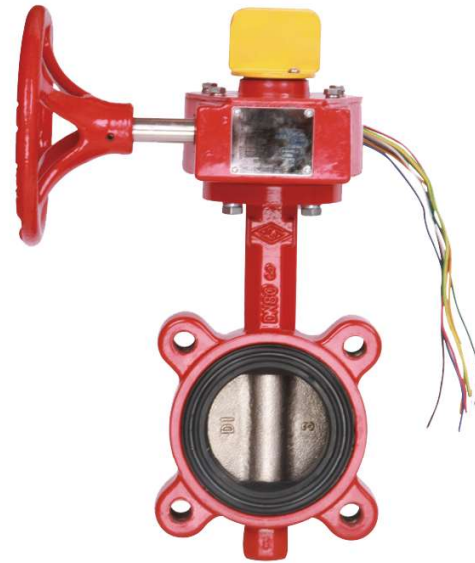
Unit : mm

## BUTTERFLY VALVES, LUG TYPE

Model: SDBV-LTEC-200

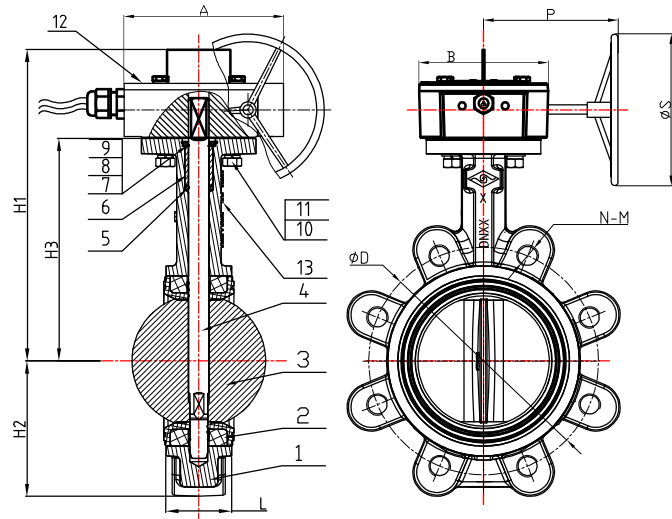


- Design Standard: MSS SP-67
- Face to Face Dimension: ISO 5752
- Connection Ends: ASME B16.1 CL 125, ASME B16.5 CL 150
- Top Flange Standard: ISO 5211
- With integrated tamper switch
- Working Pressure: 200 PSI
- Temperature Range: 0°C - 80°C
- Coating: Fusion Bonded Epoxy Coating in accordance with ANSI/AWWA C550



### MATERIAL SPECIFICATION

Part No.	Part	Standard Specification
1	Valve Body	ASTM A536, 65-45-12
2	Seat	EPDM
3	Disc	ASTM A536, 65-45-12
4	Stem	AISI 420
5	O-Ring	NBR
6	Bushing	PTFE
7	Circlip for Shaft	Spring Steel, 65MN
8	Retaining Plate	AISI 420
9	Circlip for Hole	Spring Steel, 65MN
10	Hexbolt	Carbon Steel Zinc Plated
11	Spring Washer	Spring Steel, 65MN
12	Gear Box	ASTM A536, 65-45-12
13	Name Plate	Stainless Steel Plate



DN		Dimensions									
Inch	mm	A	B	P	S	H1	H2	H3	L	N - M	Ø D
2"	50	147	113	151.5	150	248.5	64.5	140.5	43	4 - 5/8	120.7
2.5"	65	147	113	151.5	150	261	72	153	46	4 - 5/8	139.7
3"	80	147	113	151.5	150	265.5	86	157.5	46	4 - 5/8	152.4
4"	100	147	113	151.5	150	284	100	176	52	8 - 5/8	190.5
5"	125	147	113	151.5	150	299	112	191	56	8 - 3/4	215.9
6"	150	147	113	151.5	150	310.5	128	202.5	56	8 - 3/4	241.3
8"	200	184	150	223	200	364.5	162	243.5	60	8 - 3/4	298.5
10"	250	184	355	223	200	394	194	273	68	12 - 7/8	362
12"	300	184	410	224	250	432	223	311	78	12 - 7/8	431.8

Unit : mm

## BUTTERFLY VALVES, LUG TYPE

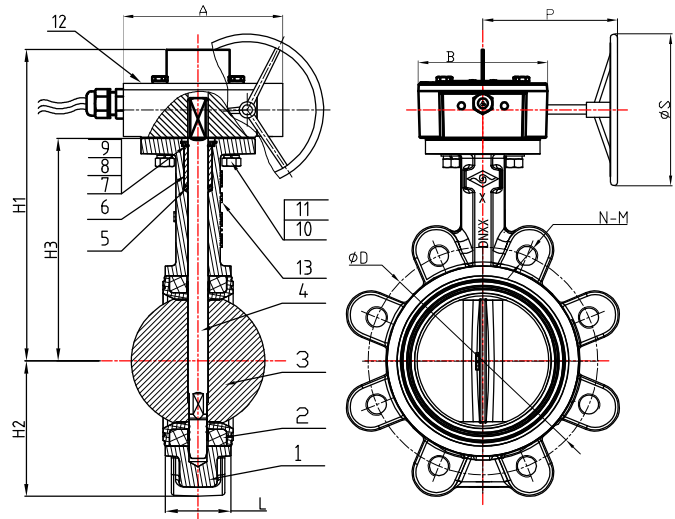
**Model: SDBV-LTEC-250**

- Design Standard: MSS SP-67
- Face to Face Dimension: ISO 5752
- Connection Ends: ASME B16.1 CL 125, ASME B16.5 CL 150
- Top Flange Standard: ISO 5211
- With integrated tamper switch
- Working Pressure: 250 PSI
- Temperature Range: 0°C - 80°C
- Coating: Fusion Bonded Epoxy Coating in accordance with ANSI/AWWA C550



### MATERIAL SPECIFICATION

Part No.	Part	Standard Specification
1	Valve Body	ASTM A536, 65-45-12
2	Seat	EPDM
3	Disc	ASTM A536, 65-45-12
4	Stem	AISI 420
5	O-Ring	NBR
6	Bushing	PTFE
7	Circlip for Shaft	Spring Steel, 65MN
8	Retaining Plate	AISI 420
9	Circlip for Hole	Spring Steel, 65MN
10	Hexbolt	Carbon Steel Zinc Plated
11	Spring Washer	Spring Steel, 65MN
12	Gear Box	ASTM A536, 65-45-12
13	Name Plate	Stainless Steel Plate



DN		Dimensions									
Inch	mm	A	B	P	S	H1	H2	H3	L	N - M	Φ D
2"	50	147	113	151.5	150	248.5	64.5	140.5	43	4 - 5/8	120.7
2.5"	65	147	113	151.5	150	261	72	153	46	4 - 5/8	139.7
3"	80	147	113	151.5	150	265.5	86	157.5	46	4 - 5/8	152.4
4"	100	147	113	151.5	150	284	100	176	52	8 - 5/8	190.5
5"	125	147	113	151.5	150	299	112	191	56	8 - 3/4	215.9
6"	150	147	113	151.5	150	310.5	128	202.5	56	8 - 3/4	241.3
8"	200	184	150	223	200	364.5	162	243.5	60	8 - 3/4	298.5
10"	250	184	355	223	200	394	194	273	68	12 - 7/8	362
12"	300	184	410	224	250	432	223	311	78	12 - 7/8	431.8

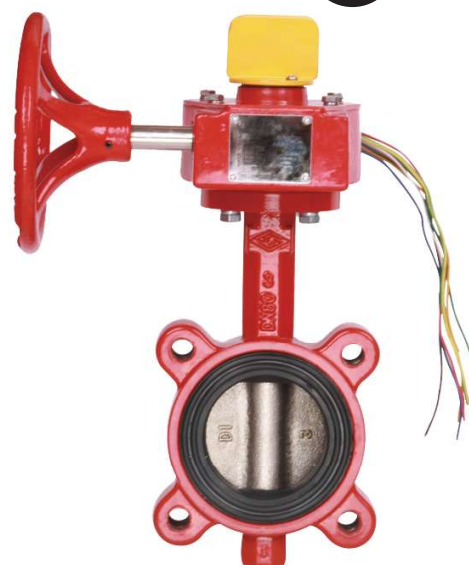
Unit : mm

## BUTTERFLY VALVES, LUG TYPE

Model: SDBV-LTEC-300

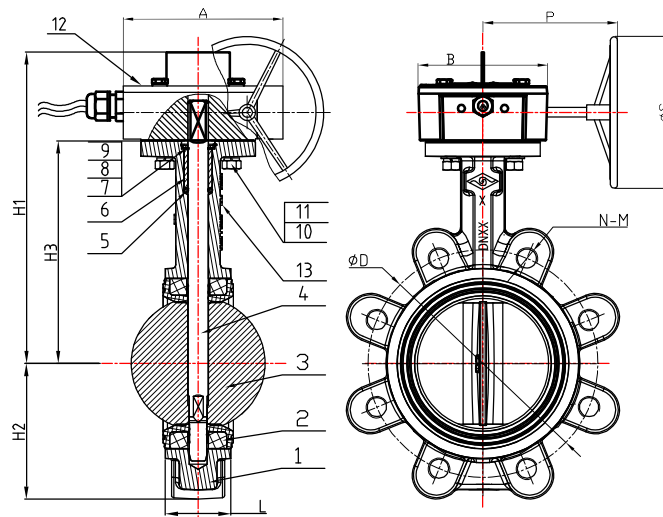


- Design Standard: MSS SP-67
- Face to Face Dimension: ISO 5752
- Connection Ends: ASME B16.1 CL 125, ASME B16.5 CL 150
- Top Flange Standard: ISO 5211
- With integrated tamper switch
- Working Pressure: 300 PSI
- Temperature Range: 0°C - 80°C
- Coating: Fusion Bonded Epoxy Coating in accordance with ANSI/AWWA C550



### MATERIAL SPECIFICATION

Part No.	Part	Standard Specification
1	Valve Body	ASTM A536, 65-45-12
2	Seat	EPDM
3	Disc	ASTM A536, 65-45-12
4	Stem	AISI 420
5	O-Ring	NBR
6	Bushing	PTFE
7	Circlip for Shaft	Spring Steel, 65MN
8	Retaining Plate	AISI 420
9	Circlip for Hole	Spring Steel, 65MN
10	Hexbolt	Carbon Steel Zinc Plated
11	Spring Washer	Spring Steel, 65MN
12	Gear Box	ASTM A536, 65-45-12
13	Name Plate	Stainless Steel Plate



DN		Dimensions									
Inch	mm	A	B	P	S	H1	H2	H3	L	N - M	Φ D
2"	50	147	113	151.5	150	248.5	64.5	140.5	43	4 - 5/8	120.7
2.5"	65	147	113	151.5	150	261	72	153	46	4 - 5/8	139.7
3"	80	147	113	151.5	150	265.5	86	157.5	46	4 - 5/8	152.4
4"	100	147	113	151.5	150	284	100	176	52	8 - 5/8	190.5
5"	125	147	113	151.5	150	299	112	191	56	8 - 3/4	215.9
6"	150	147	113	151.5	150	310.5	128	202.5	56	8 - 3/4	241.3
8"	200	184	150	223	200	364.5	162	243.5	60	8 - 3/4	298.5
10" *	250	184	355	223	200	394	194	273	68	12 - 7/8	362
12" *	300	184	410	224	250	432	223	311	78	12 - 7/8	431.8

\* Non-Approved

Unit : mm